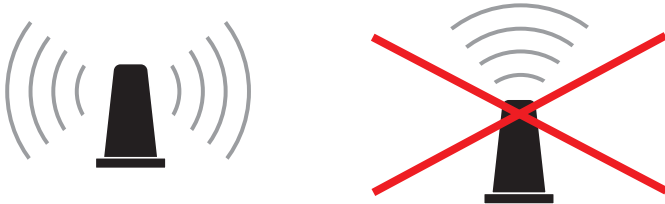


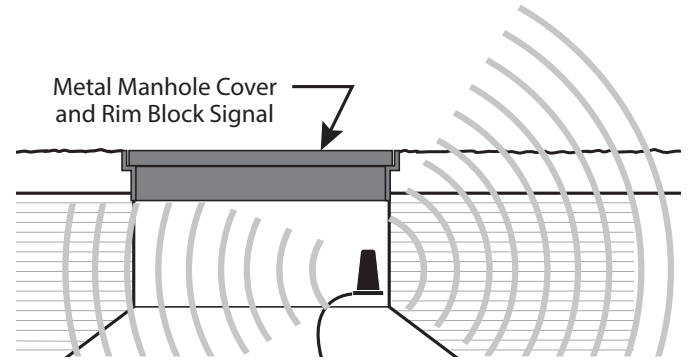
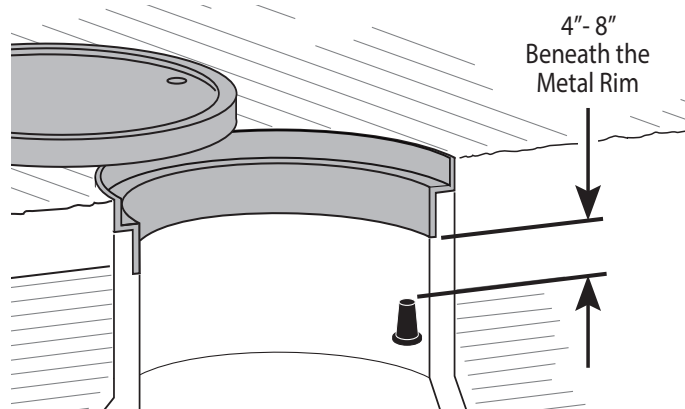
Antenna Placement Best Practices

Instruction Sheet

1. Antenna needs to be placed in Vertical orientation.
It does **NOT** radiate out of the ends of the antenna.



2. The best performance will be with the antenna placed on a large metal ground plane, above ground and without large obstructions between the antenna and the tower. This is not always possible but in instances where signal strength is low, this may be necessary.
3. Any metal surrounding the antenna will degrade performance! Placing the antenna 4-8" lower than the metal ring the manhole cover sits on will provide better signal quality. Dirt and concrete lower signal strength less than metals which cause the signal to attenuate.



4. **Do NOT kink the coax!** The coaxial cable that feeds the antenna should never be in a loop tighter than the size of a fist. A coax that has been kinked will degrade the signal even after being straightened back out.
5. Antennas near strong radio towers or other sources of RF interference can jam the signal even though it is on a different frequency.

Teledyne ISCO

P.O. Box 82531, Lincoln, Nebraska, 68501 USA
Toll-free: (800) 228-4373 • Phone: (402) 464-0231 • Fax: (402) 465-3091

teledyneisco.com

Teledyne ISCO is continually improving its products and reserves the right to change product specifications, replacement parts, schematics, and instructions without notice.